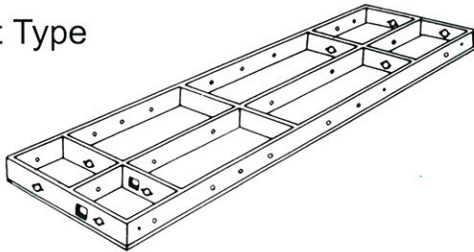


Wooden Panels are being replaced by Metal Form because they are damaged easily, thus their short durability. Metal Forms are getting indispensable for civil engineering & construction.

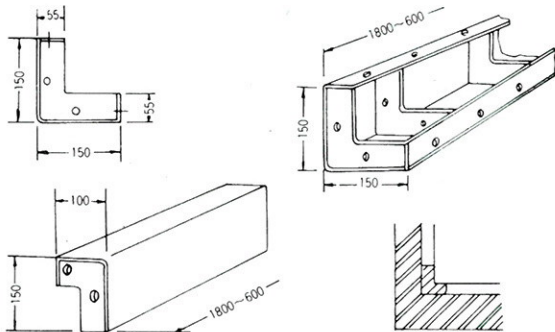
1 Flat Type



1 Sizes and Dimensions

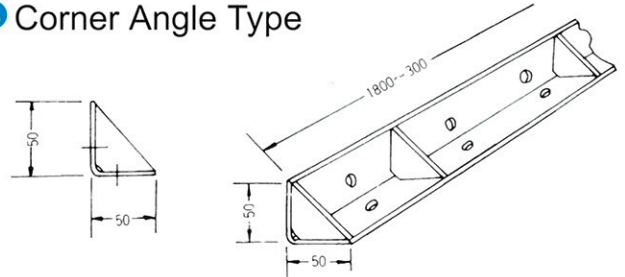
| Model | No. | WidthxLength | Nw/pce |
|-------|-------|--------------|---------|
| F 108 | F3018 | 300 x 1800mm | 16.89kg |
| | F3015 | 300 x 1500 | 14.19 |
| | F3012 | 300 x 1200 | 11.49 |
| | F3009 | 300 x 900 | 8.78 |
| | F3006 | 300 x 600 | 6.08 |
| | F2018 | 200 x 1800 | 13.33 |
| | F2015 | 200 x 1500 | 11.17 |
| | F2012 | 200 x 1200 | 9.05 |
| | F2009 | 200 x 900 | 6.88 |
| | F2006 | 200 x 600 | 4.77 |
| F 008 | F1518 | 150 x 1800 | 9.48 |
| | F1515 | 150 x 1500 | 7.96 |
| | F1512 | 150 x 1200 | 6.43 |
| | F1509 | 150 x 900 | 4.91 |
| | F1506 | 150 x 600 | 3.38 |
| | F1018 | 100 x 1800 | 7.70 |
| | F1015 | 100 x 1500 | 6.45 |
| | F1012 | 100 x 1200 | 5.21 |
| | F1009 | 100 x 900 | 3.96 |
| | F1006 | 100 x 600 | 2.71 |

2 Internal Angle (Re-entrant Angle) Type



| ICF | Model | Width X Length X Height | Nw/pce |
|-----|----------|-------------------------|--------|
| | ICF5518 | 150 X 150 X 1800 | 14.1 |
| | ICF5515 | 150 X 150 X 1500 | 12.0 |
| | ICF5512 | 150 X 150 X 1200 | 9.6 |
| | ICF5509 | 150 X 150 X 900 | 7.3 |
| | ICF55075 | 150 X 150 X 750 | 6.0 |
| | ICF5506 | 150 X 150 X 600 | 5.0 |
| | ICF0518 | 100 X 150 X 1800 | 12.3 |
| | ICF0515 | 100 X 150 X 1500 | 10.3 |
| | ICF0512 | 100 X 150 X 1200 | 8.3 |
| | ICF0509 | 100 X 150 X 900 | 6.3 |
| | ICF05075 | 100 X 150 X 750 | 5.2 |
| | ICF0506 | 100 X 150 X 600 | 4.3 |

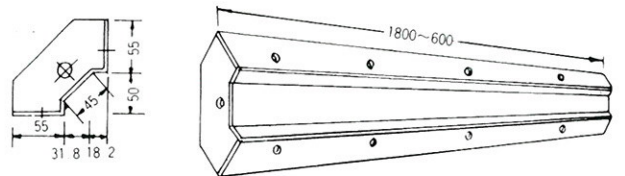
3 Corner Angle Type



3 Sizes and Dimensions

| Model | No. | WidthxLength | Nw/pce |
|-------|------|-------------------|--------|
| CA | 1800 | 50 x 50 x 1800 mm | 3.8 kg |
| | 1500 | 50 x 50 x 1500 | 3.2 |
| | 1200 | 50 x 50 x 1200 | 2.6 |
| | 900 | 50 x 50 x 900 | 2.0 |
| | 750 | 50 x 50 x 750 | 1.6 |
| | 600 | 50 x 50 x 600 | 1.3 |
| | 300 | 50 x 50 x 300 | 0.8 |

4 Internal Angle (Re-entrant Angle) Type



| BCF | Model | Width X Length X Height | Nw/pce |
|-----|-------|-------------------------|--------|
| | 4518 | 45 x 50 x 1800 | 7.2 |
| | 4515 | 45 x 50 x 1500 | 6.1 |
| | 4512 | 45 x 50 x 1200 | 5.0 |
| | 4509 | 45 x 50 x 900 | 3.8 |
| | 45075 | 45 x 50 x 750 | 3.1 |
| | 4506 | 45 x 50 x 600 | 2.6 |

*Other Metal Forms also available.

5 U Clip 0.18kg



6 L Pin 0.4kg

